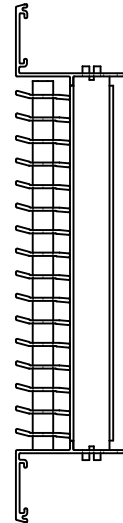
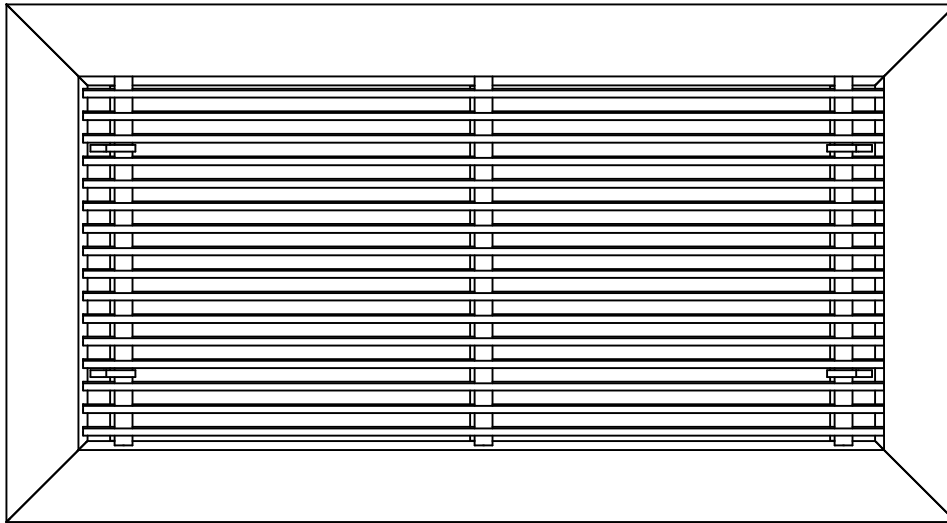
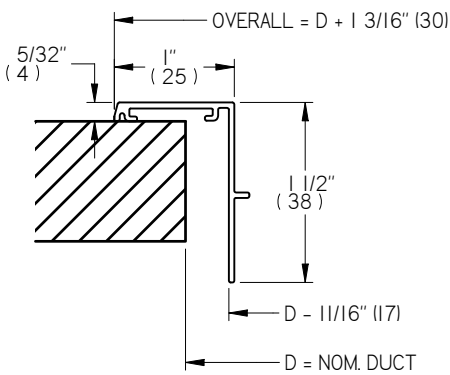


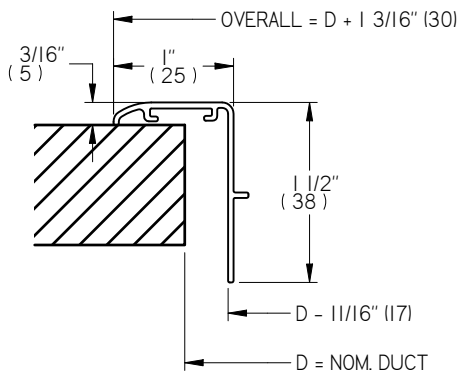
RCG - REVERSIBLE CORE GRILLE



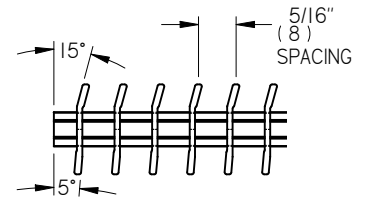
N - 1" FLAT FRAME



C - CURVED FRAME



• REVERSIBLE CORE



STANDARD CONSTRUCTION:

- EXTRUDED ALUMINUM FRAME
- EXTRUDED ALUMINUM BLADES
- REMOVABLE CORE WITH CORE CLIPS
- SUPPORT BARS 10" (254) MAX. O/C SPACING
- BLADES PARALLEL TO LONG DIMENSION
- BLADES PARALLEL TO SHORT DIMENSION

FASTENING OPTIONS

- TYPE 0 - NO FASTENING SUPPLIED
- TYPE A - COUNTERSUNK SCREW MOUNTING
- TYPE G - SIDE-STACK MOUNTING HOLES

FINISH:

- B12 WHITE
- (OPTIONAL FINISHES AVAILABLE)

ACCESSORIES:

- VCS3 - STEEL OPPOSED BLADE DAMPER
- VCS3AL - ALUMINUM OPPOSED BLADE DAMPER
- DVS - ROLLFORMED STEEL DIRECTIONAL VANES
3/4" (19) O/C SPACING
- DVAL - ROLLFORMED ALUMINUM DIRECTIONAL VANES
3/4" (19) O/C SPACING

NOTES:

- MINIMUM SIZE 6" x 4" (152x102)
- MINIMUM SIZE 6" x 6" (152x152) FOR BLADES TO SHORT
- MAXIMUM SIZE 72" x 36" (1829x914)
- MAXIMUM SIZE 36" x 36" (914x914) FOR BLADES TO SHORT
- MAXIMUM 18" (457) WIDTH FOR DVS / DVAL OPTIONS
- MAXIMUM 24" (610) WIDTH FOR VCS3 / VCS3AL OPTIONS
- FOR SIDEWALL INSTALLATION ONLY - NOT FOR FLOOR APPLICATIONS
- FACTORY TOLERANCE +/- 1/32" (1)

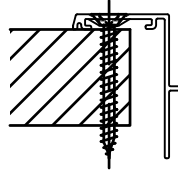
ALL METRIC DIMENSIONS () ARE SOFT CONVERTED. IMPERIAL DIMENSIONS ARE CONVERTED TO METRIC AND ROUNDED TO THE NEAREST MILLIMETER.

PROJECT:		price
ENGINEER:		
CUSTOMER:		RV
SUBMITTAL DATE:		251841
SPEC. SYMBOL:		RCG REVERSIBLE CORE GRILLE
		2010/06/29

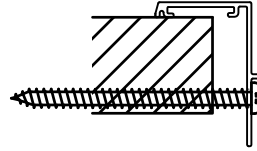
RCG - REVERSIBLE CORE GRILLE

FASTENING
OPTIONS:

A - COUNTERSUNK
SCREWS

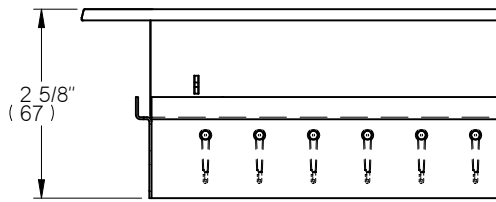


G - CONCEALED
SCREWS

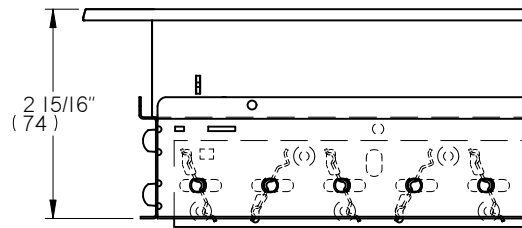


ACCESSORIES:

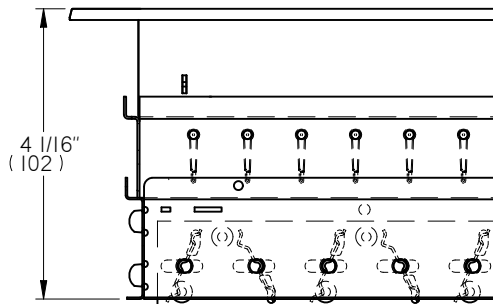
DV - DIRECTIONAL VANES



VCS3 OPPOSED BLADE DAMPER



DV DIRECTIONAL VANES
AND VCS3 DAMPER



ALL METRIC DIMENSIONS () ARE SOFT CONVERTED. IMPERIAL DIMENSIONS ARE CONVERTED TO METRIC AND ROUNDED TO THE NEAREST MILLIMETER.

PROJECT:		PRICE	RCG REVERSIBLE CORE GRILLE
ENGINEER:			
CUSTOMER:		251841	
SUBMITTAL DATE:	SPEC. SYMBOL:	2010/06/29	